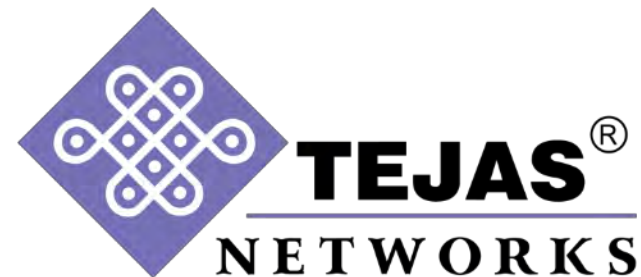


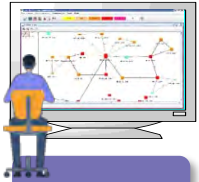
Tejas: xPON Solutions



Combo-PON: XGSPON+GPON



xPON OLT Portfolio



UNIFIED
EMS
TJ5500

		Configuration	Feature
Small Pizza box OLT	<p>TJ1400-1-G4 TJ1400-1-G8/G16 TJ1400-1-C8/C16</p>	<ul style="list-style-type: none"> • GPON 4 port 1 RU (HD <250 mm) with 1G SNI • GPON 8/16 Ports in 1RU (HD <300mm) with 1G/10G SNI • XGSPON/Combo-PON 8/16 in 1RU (<250mm) With 10/25/100G SNI 	<ul style="list-style-type: none"> • 1U, Op Temperature 0 to +60°C • 8/16 with -40 to 65°C option • 8/16 Port redundant FRU Power supply & FRU FAN
Compact Redundant OLT	<p>TJ1400-7 OLT</p>	<ul style="list-style-type: none"> • 32 x GPON 	<ul style="list-style-type: none"> • 2U, Op Temperature: 0 to +50°C • Redundant Control & Power Card • CEF8-1 (5x10G: SNI)
Mid-range Redundant OLT	<p>TJ1400-13 OLT</p>	<ul style="list-style-type: none"> • 64xGPON • 64GPON+16XGSPON • 64COMBO PON 	<ul style="list-style-type: none"> • 5U, Env Hardened 0 to +60°C Option • Redundant Control & Power Card • CEF8-1/CEF8-1A*((5x10G SNI) • CEF10*
Scalable OLT	<p>TJ1400-18 OLT</p>	<ul style="list-style-type: none"> • 128xGPON • 128GPON+32XGSPON 	<ul style="list-style-type: none"> • 7U, Op Temperature: 0 to +45°C • Redundant Control & Power Card • CSC1 (20x10G, 2x100G SNI with 2xCSC1)

xPON ONT Portfolio

GPON

Small Residential

Single Band G001110-N300
1xGE, 1xFE, 1xPOTS, N300

SFU 12B2: 1x1GE

SFU (12A / G010000)
1x2.5GE

Premium Home

G002000-AC1200: 2x1GE, AC1200
G002010-AC1200: 2x1GE, 1xPOTS, AC1200
G004000-AC1200: 4x1GE, AC1200
G004011E-AC1200: 4x1GE, 1xPOTS, 1xUSB, AC1200
G004010M-AC1200: 4x1GE, 1xPOTS, AC1200, LTE SIM Slot

G004011-AX3000
4x1GE, 1xPOTS, 1xUSB, AX3000

Industrial/Enterprise

20PS (8x1GE POE), -48V DC PSU
20PS4 (4x1GE POE), -48V DC PSU

G004000: 4x1GE

G004001R: 4x1GE, 1xUSB, Type-C

G004000ER: 4x1GE, Type-C, IP53

SFP

10 SFP ONT

XGSPON

32E / x104021
1x10GE, 4x1GE, 2xPOTS, 1xUSB

X104011-AX6000
1x10GE, 4x1GE, 1xPOTS, 1xUSB, AX6000

X104000ER
1x10GE, 4x1GE, Type-C, IP53

32S SFP ONT

Features

ZTP

TR069

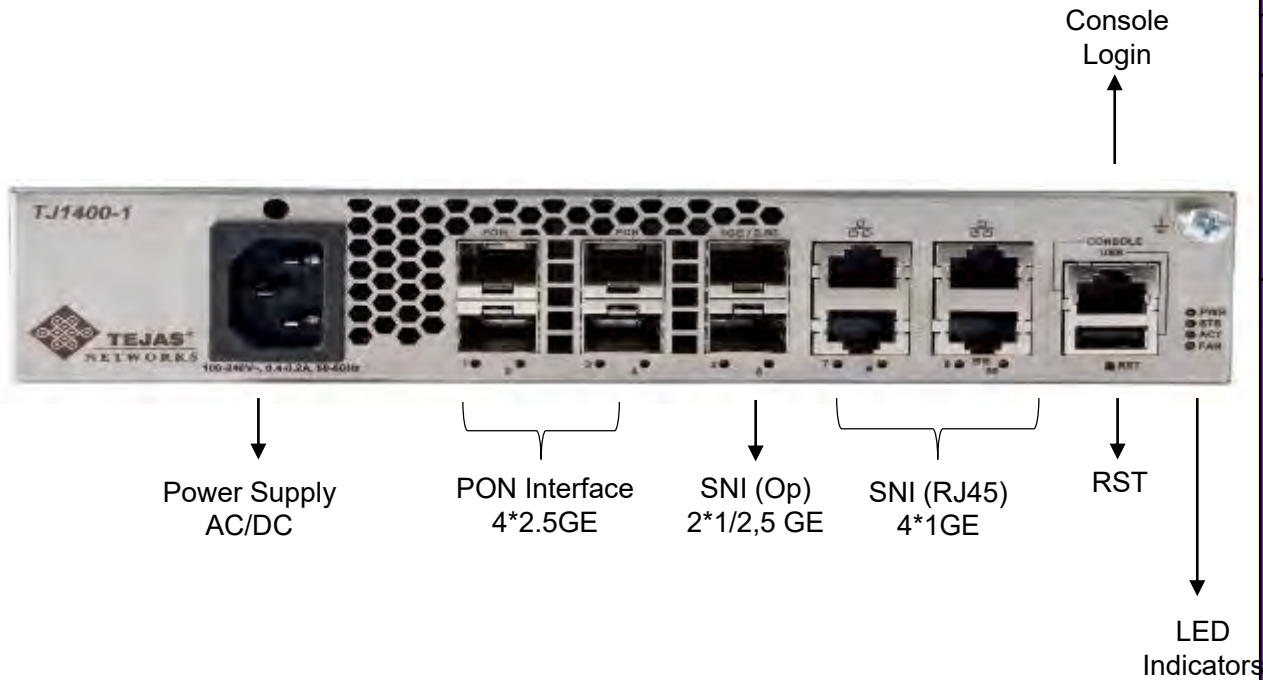
QOE

POE

Type C

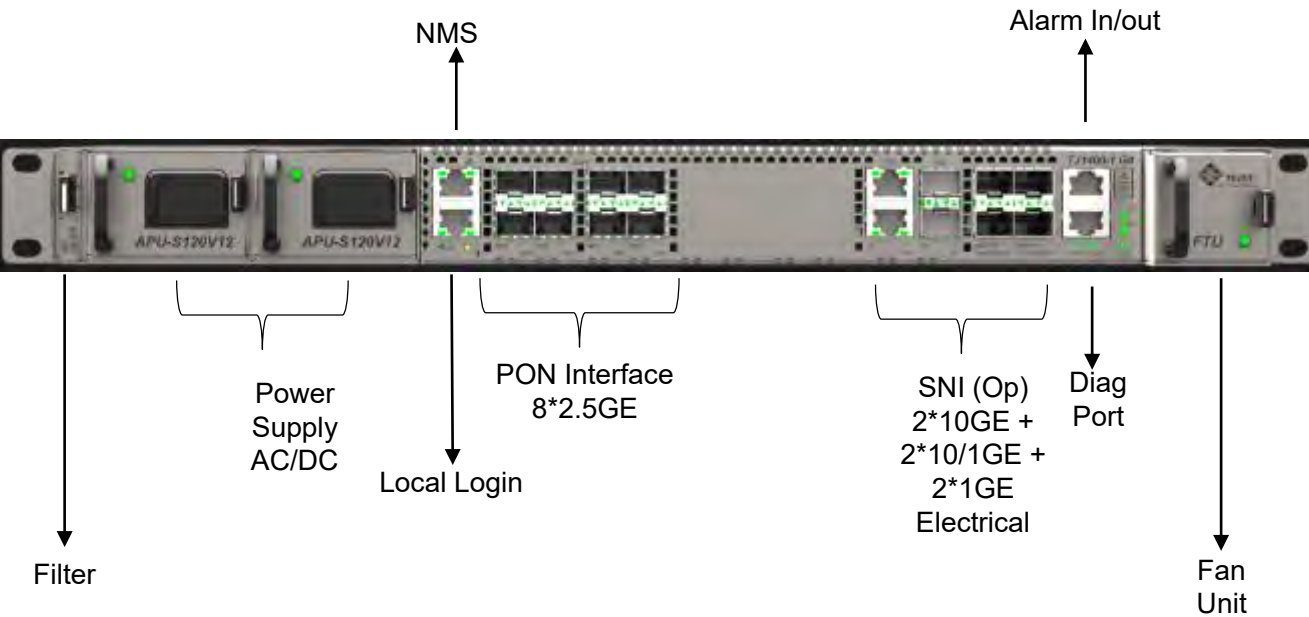
MBH Support

TJ1400-1 G4 (1RU 4 Port OLT)



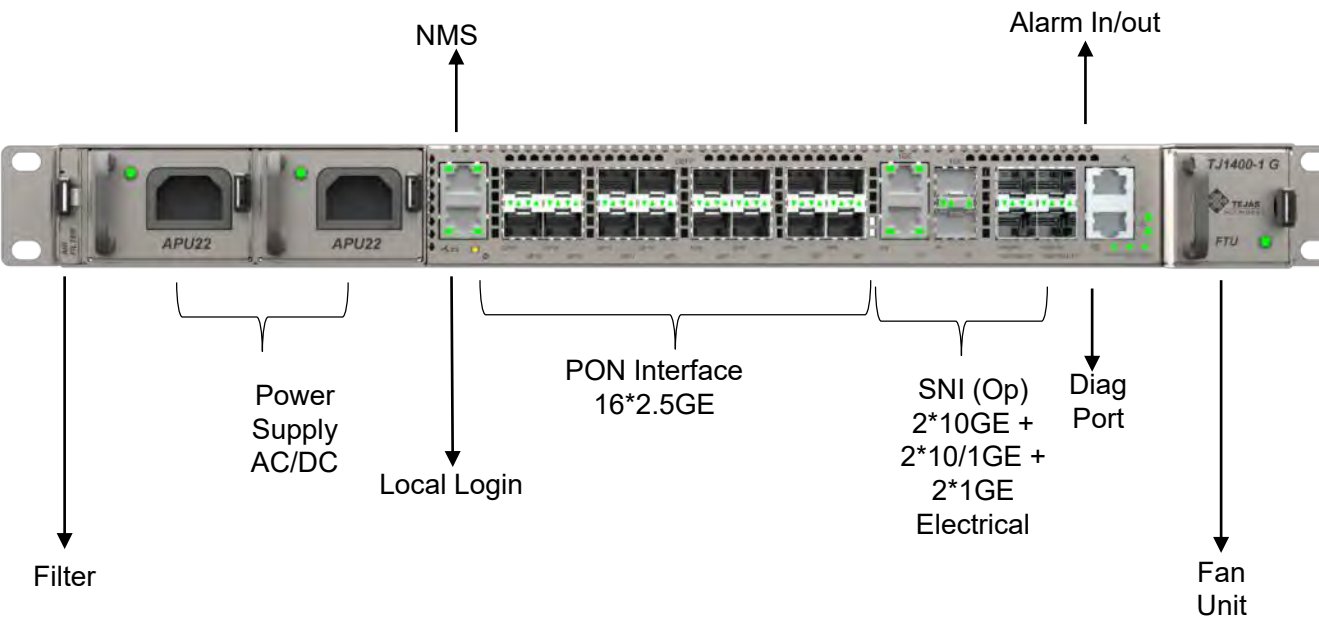
Functionality	4 Port OLT with L2 switch
Power Supply	AC/DC
Uplink (SNI)	2*1/2.5 GE + 4*GE Electrical
PON Ports (Max)	4
PON Features	128 ONU support Type B & Type C Class B+ and Class C+ GPON module
L2 Feature Summary	4K VLANs 802.1q/ad QOS(802.1p, metering & scheduling & ACL) Broadcast /Multicast Storm Control Port Mirroring ERPS & Open ERPS (Sub 50 ms Protection). LAG RADIUS Based Authentication IGMPv2,V3
Temperature range	0 to 60 degC
Physical Dimensions (HxWxD)	44 x 220 x 155 (mm)

TJ1400-1 G8 (1RU 8 Port OLT)



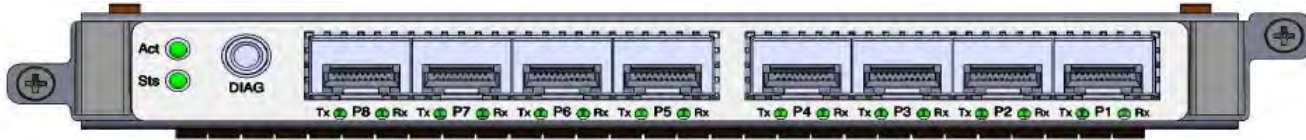
Functionality	8 Port OLT with L2 switch
Redundancy	PSU(AC + AC or DC+DC)
Uplink (SNI)	2*10GE + 2*10/1GE+ 2*GE Optical +2*GE Electrical
PON Ports (Max)	8 GPON
PON Features	128 ONU support Type B & Type C Class B+ and Class C+ GPON module
L2 Feature Summary	4K VLANs 802.1q/ad QOS(802.1p, metering & scheduling & ACL) Broadcast /Multicast Storm Control Port Mirroring ERPS & Open ERPS (Sub 50 ms Protection). LAG RADIUS Based Authentication IGMPv2,V3
Temperature range	0 to 60 deg C
Physical Dimensions (HxWxD)	44 x 444 x 240 (mm)

TJ1400-1 G16 (1RU 16 Port OLT)

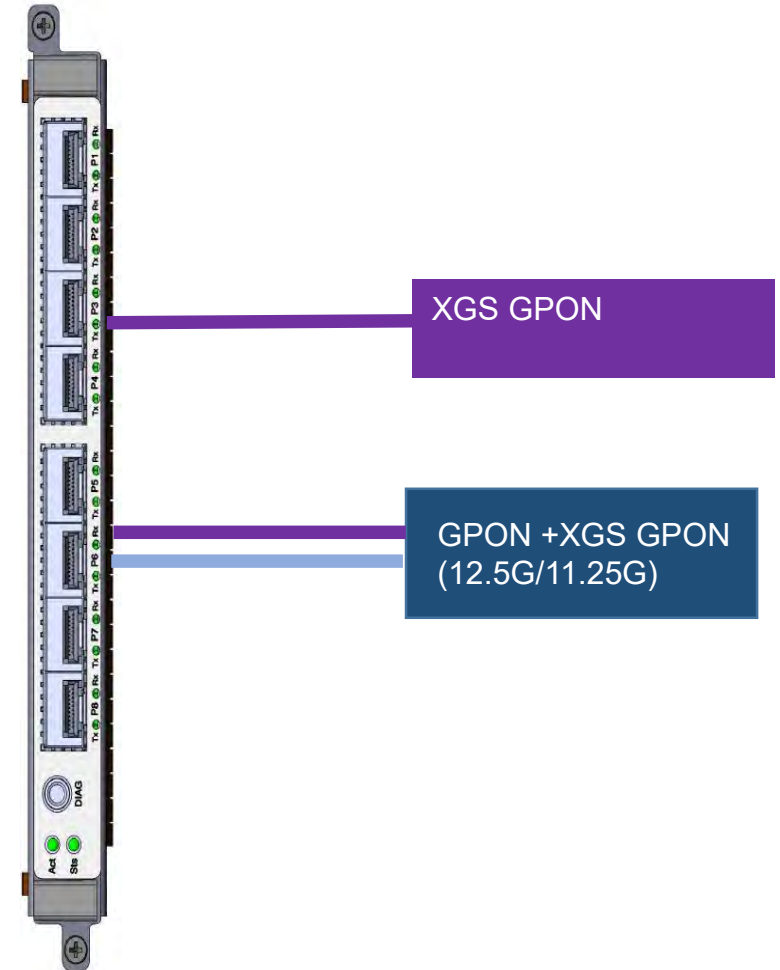
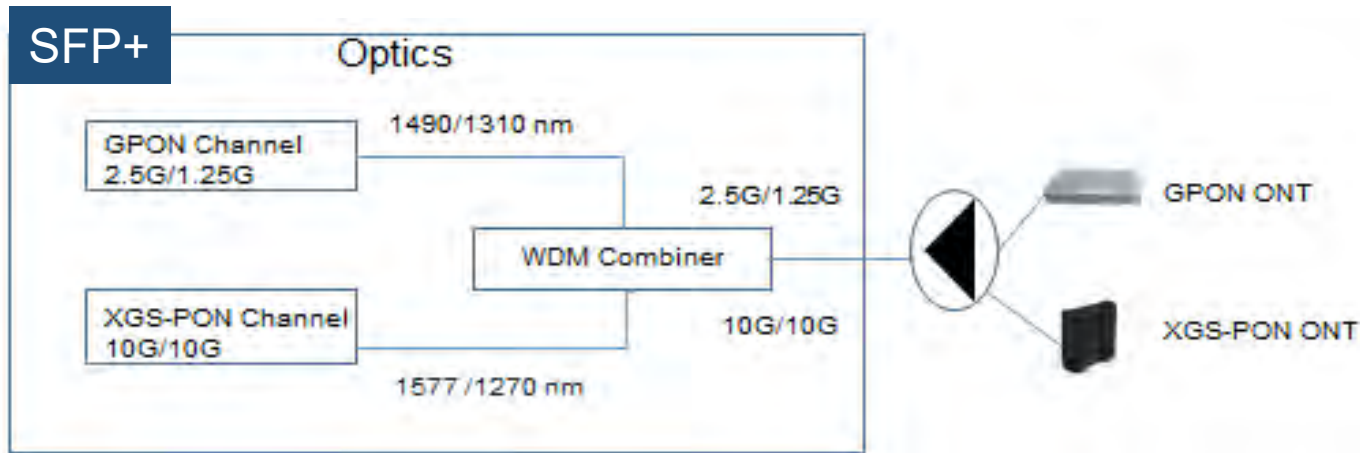


Functionality	16 Port OLT with L2 switch
Redundancy	PSU(AC + AC or DC+DC)
Uplink (SNI)	2*10GE + 2*10/1GE+ 2*GE Optical +2*GE Electrical
PON Ports (Max)	16 GPON
PON Features	128 ONU support Type B & Type C Class B+ and Class C+ GPON module
L2 Feature Summary	4K VLANs 802.1q/ad QOS(802.1p, metering & scheduling & ACL) Broadcast /Multicast Storm Control Port Mirroring ERPS & Open ERPS (Sub 50 ms Protection). LAG RADIUS Based Authentication IGMPv2,V3
Temperature range	0 to 60 deg C
Physical Dimensions (HxWxD)	44 x 444 x 240 (mm)

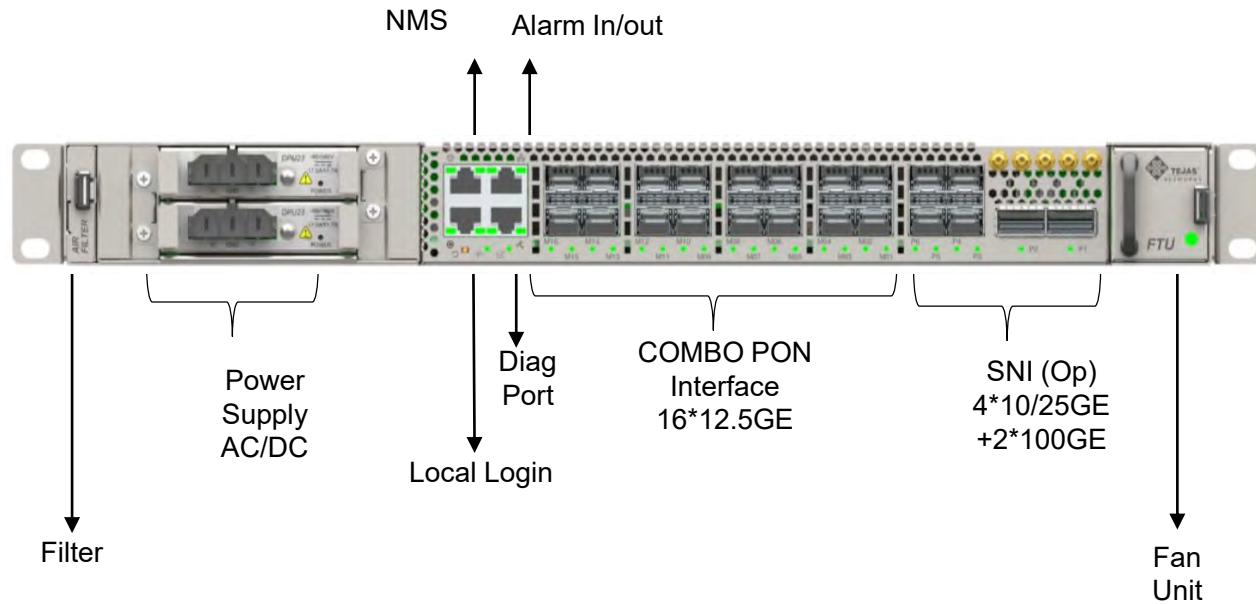
COMBO PON CARD : STOLT-8C



- 8 port combo-PON / Multi-PON card
- SFP+ based
- Combo PON ports
 - GPON and XGS-PON in the same port
 - DS bandwidth: 12.5 Gbps
 - US bandwidth: 11.25 Gbps.



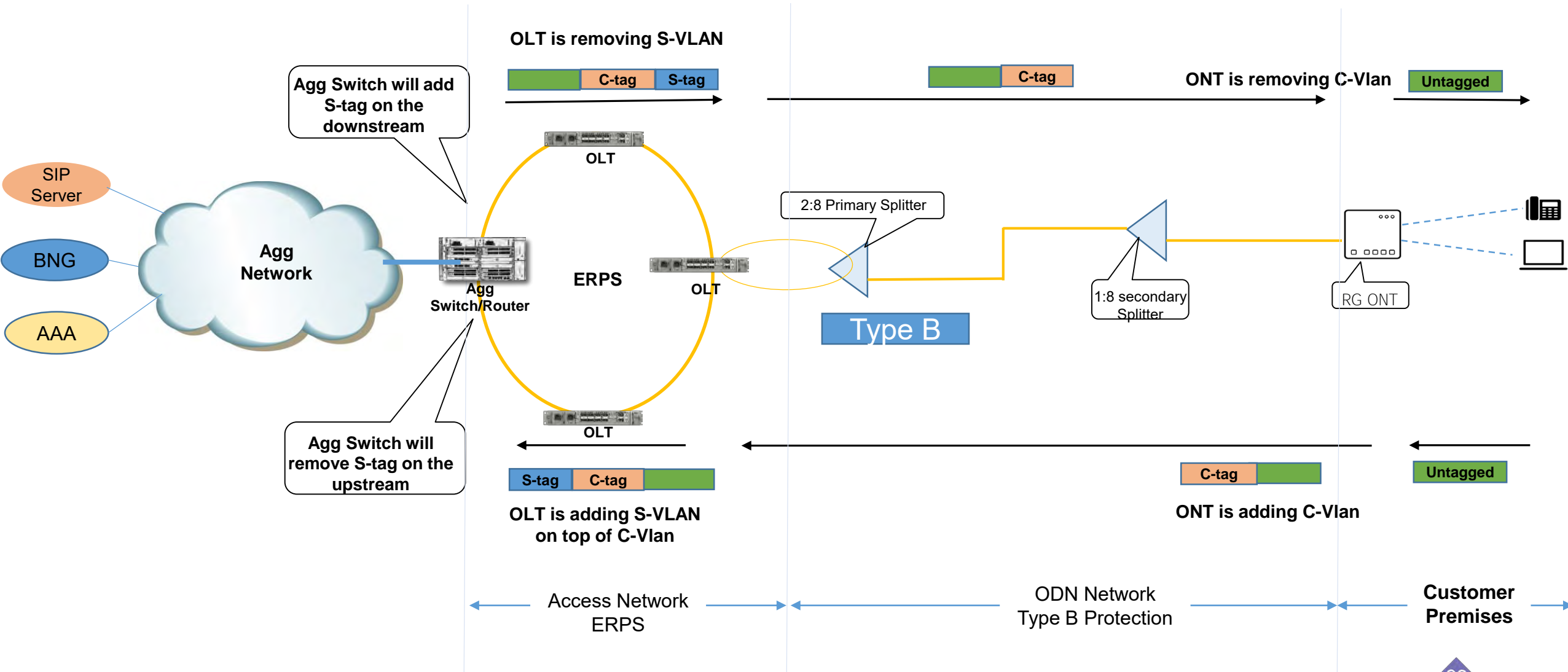
TJ1400-1 C16 (1RU 16 COMBO PON OLT)



Functionality	16 Port OLT with L2 switch
Redundancy	PSU(AC + AC or DC+DC)
Uplink (SNI)	4*10/25GE +2*100GE
PON Ports (Max)	16 COMBO PON (16+16 GPON + XGSPON)
PON Features	128 ONU support Type B & Type C Class B+ and Class C+ GPON module
L2 Feature Summary	4K VLANs 802.1q/ad QOS(802.1p,metering & scheduling & ACL) Broadcast /Multicast Storm Control Port Mirroring ERPS & Open ERPS (Sub 50 ms Protection). LAG RADIUS Based Authentication IGMPv2,V3
Temperature range	-40 to 65 deg C
Physical Dimensions (HxWxD)	44 x 444 x 240 (mm)

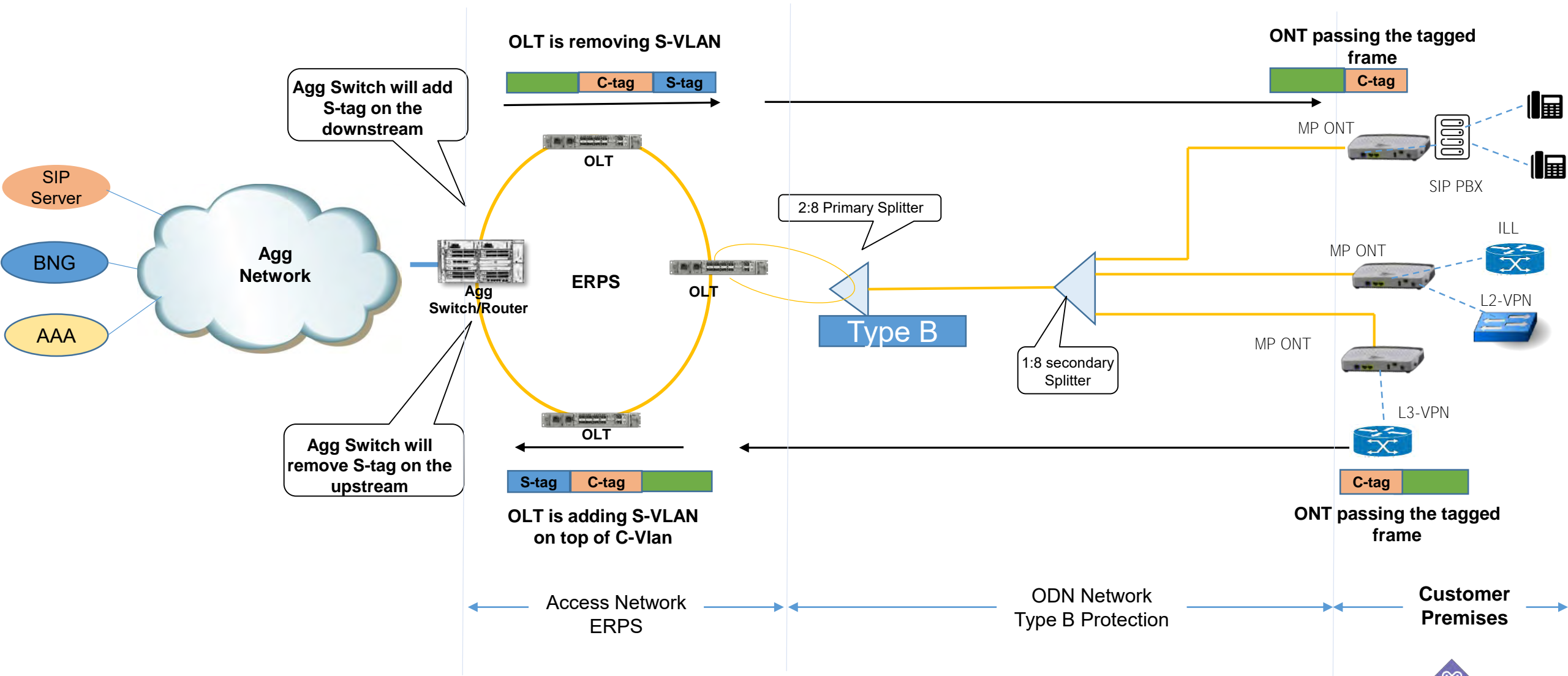
xPON Residential Network design

High Availability With OLT ERPS Ring & Type B protection



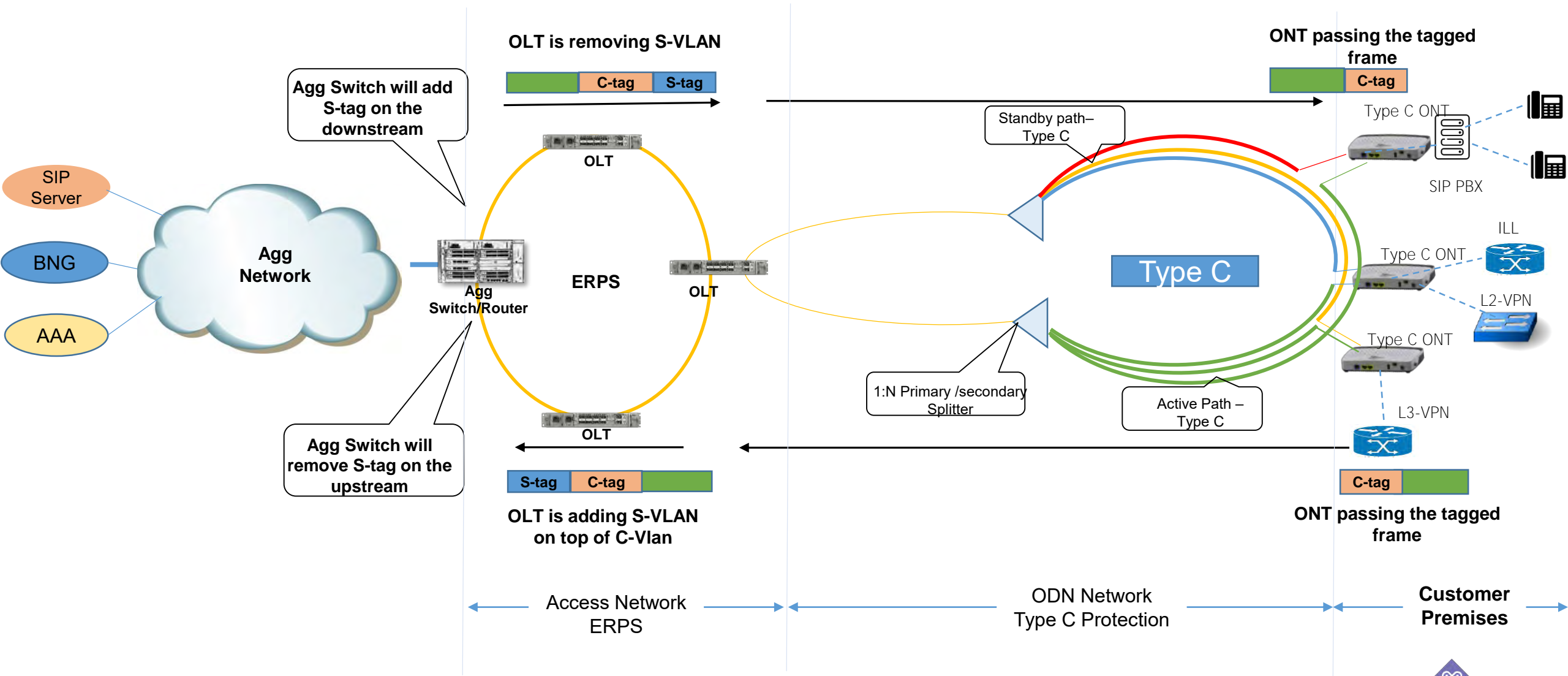
xPON Enterprise Network design

High Availability With OLT ERPS Ring & Type B protection

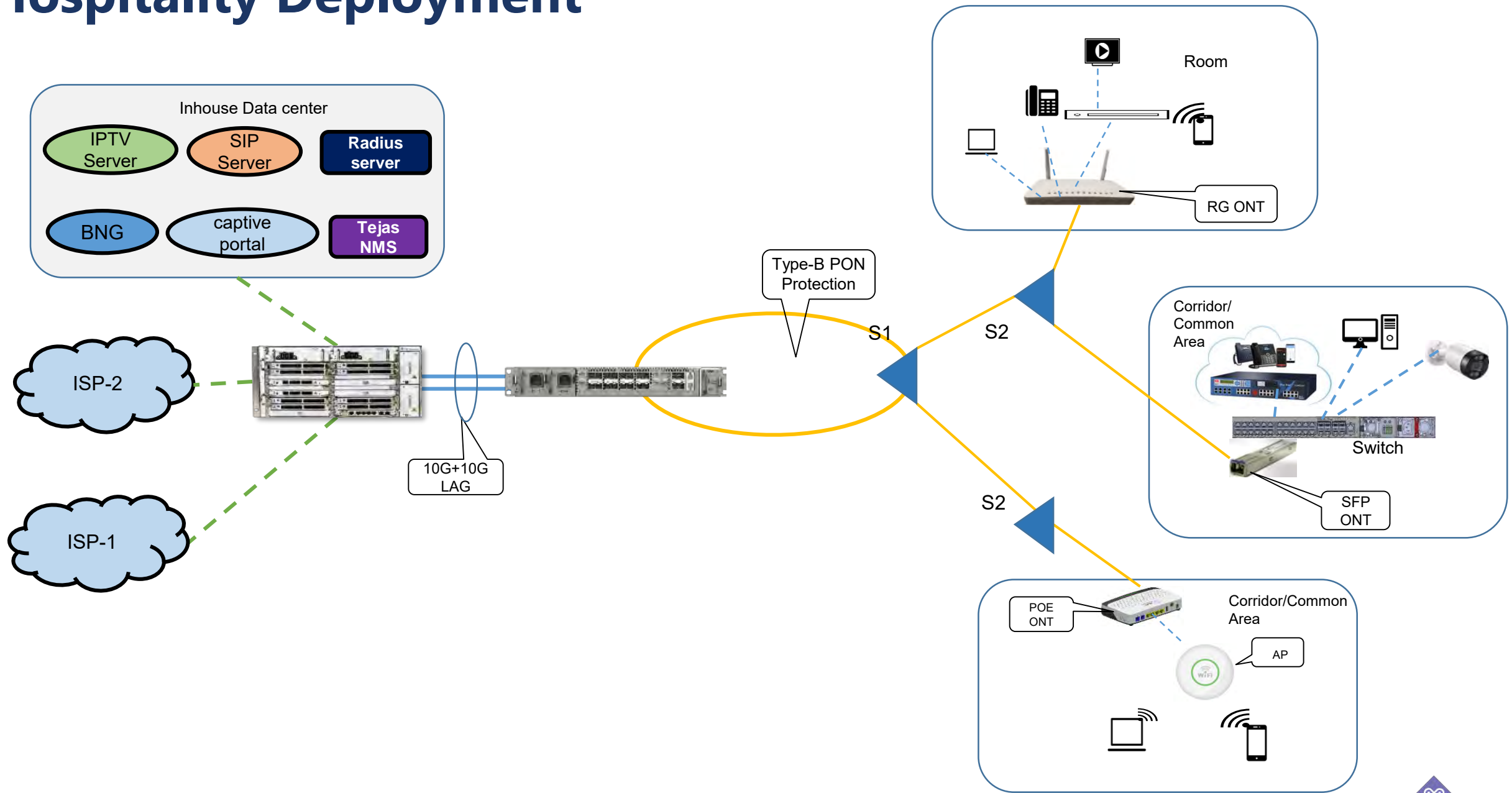


xPON Enterprise Network design

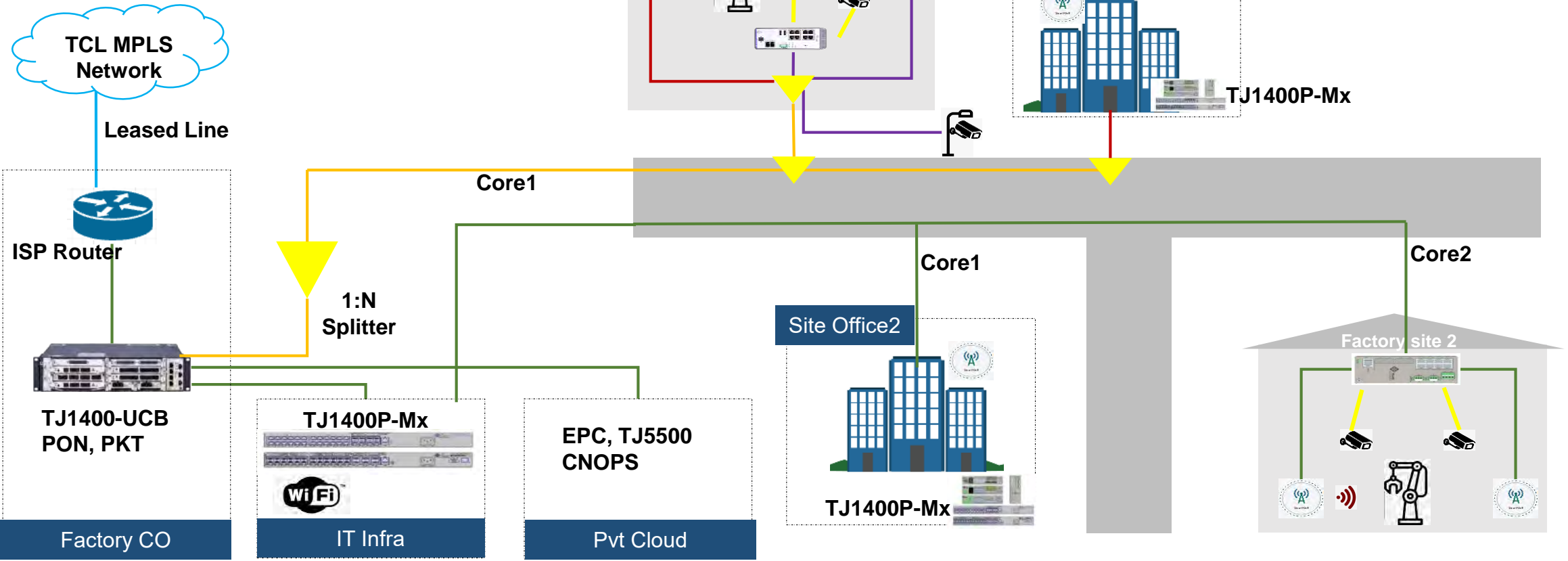
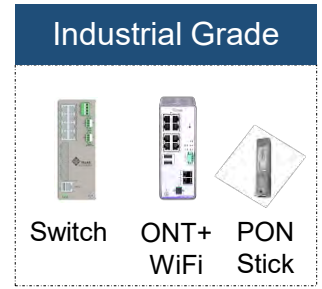
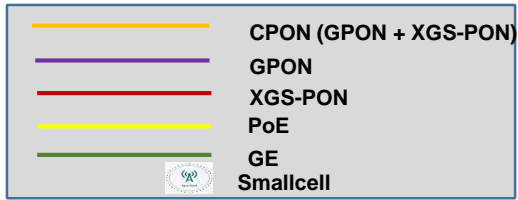
High Availability With OLT ERPS Ring & Type C protection



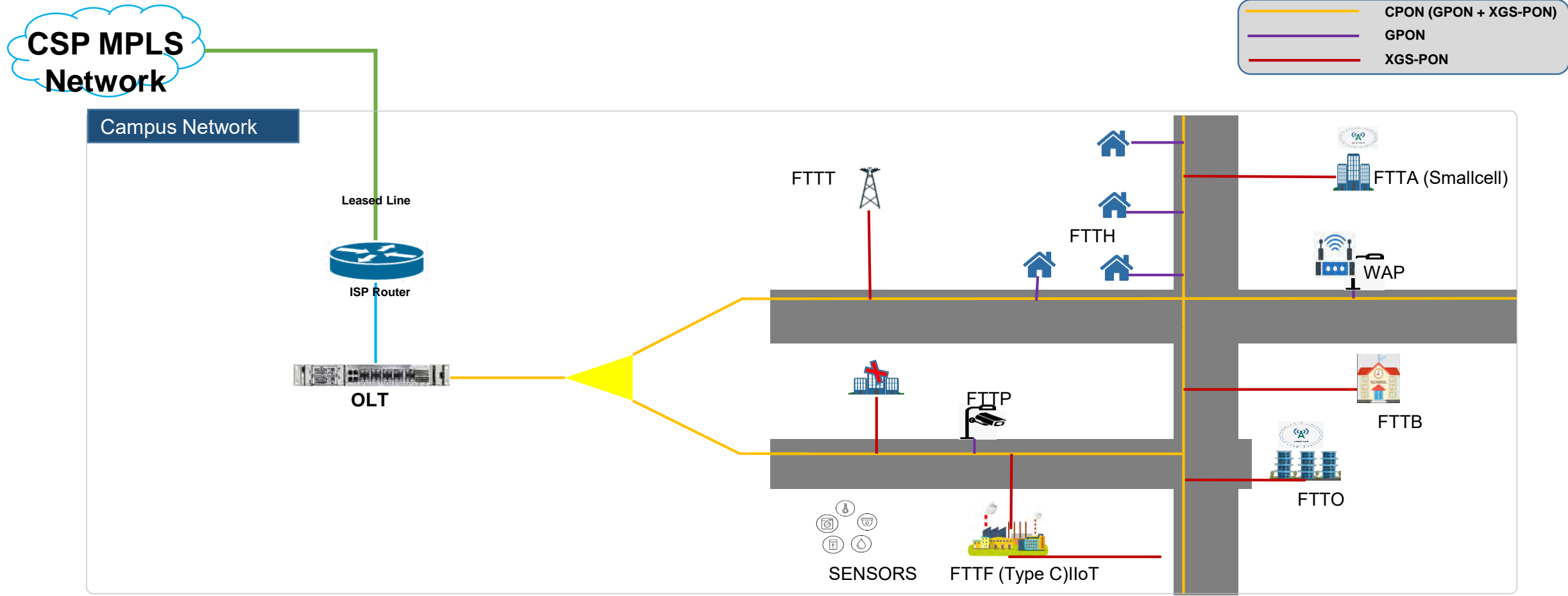
Hospitality Deployment



Transport options for Smart Factory



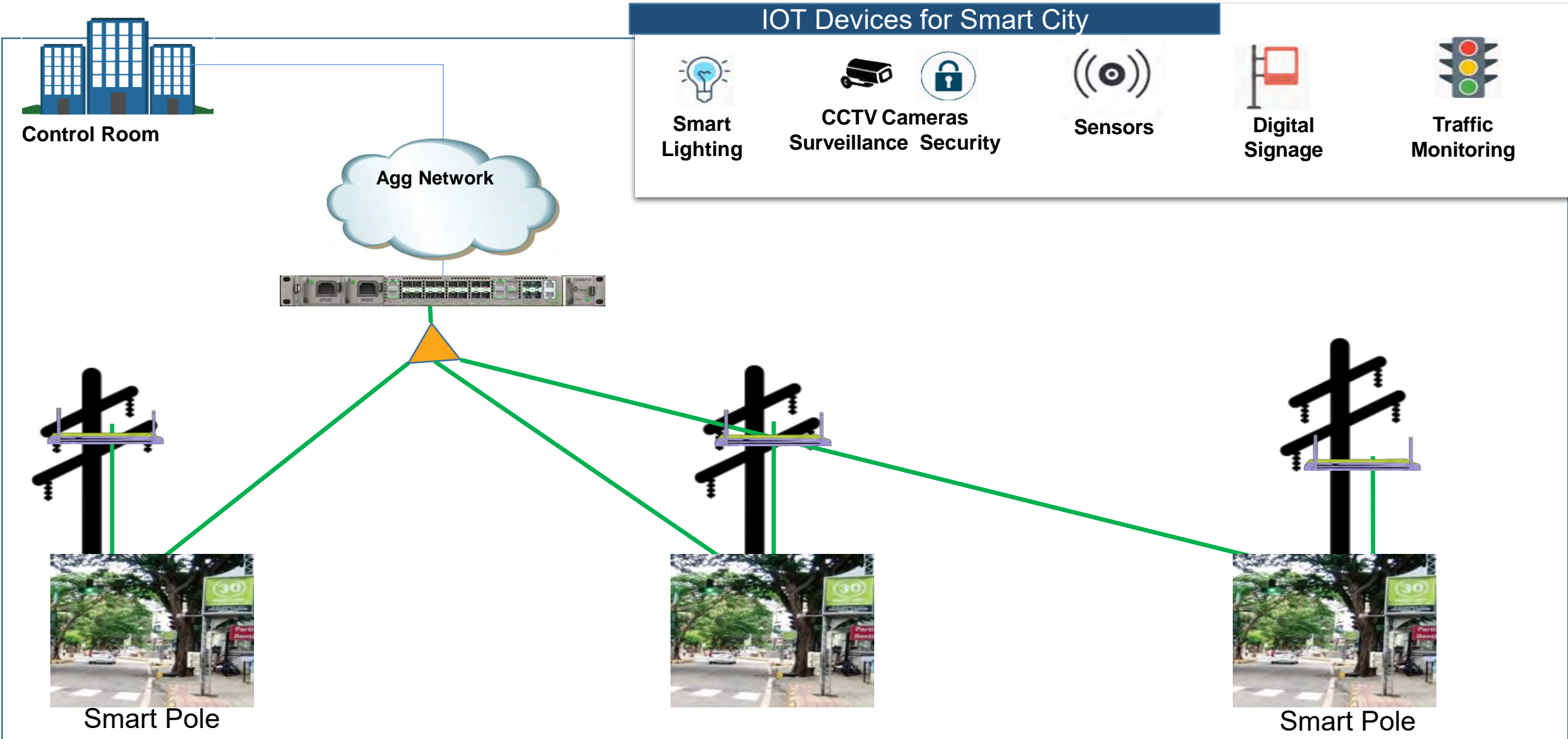
Campus Network using COMBO PON OLT



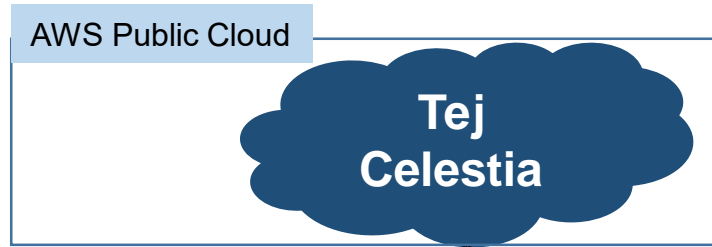
ONT used

Industrial Grade ONT with PoE + WiFi	ONT PON SICK	Home GW ONT + WiFi
		

xPON Network for Smart City Applications



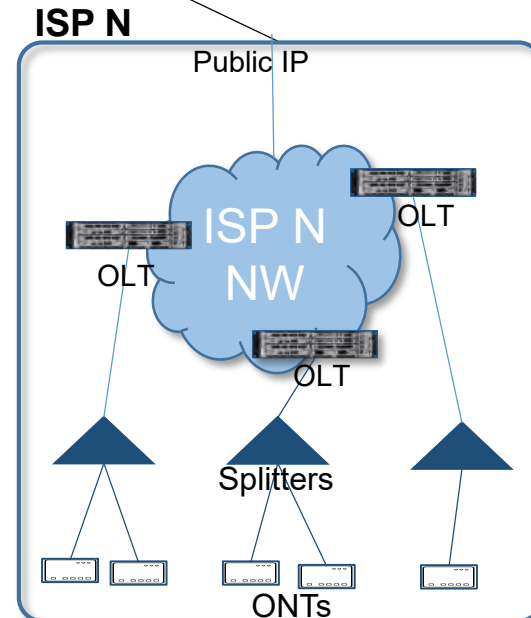
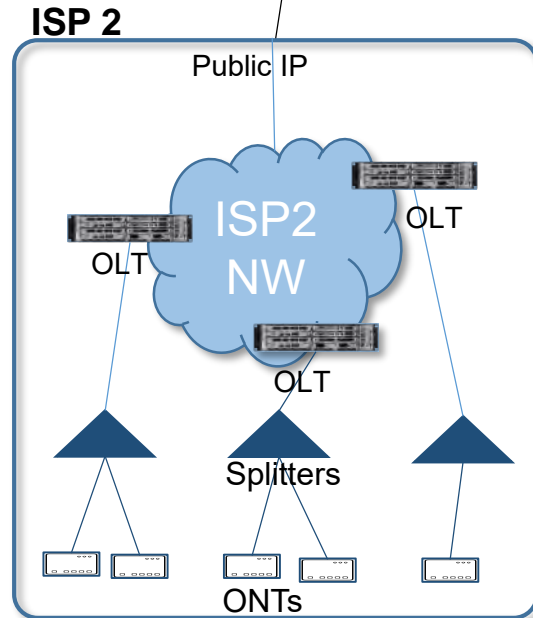
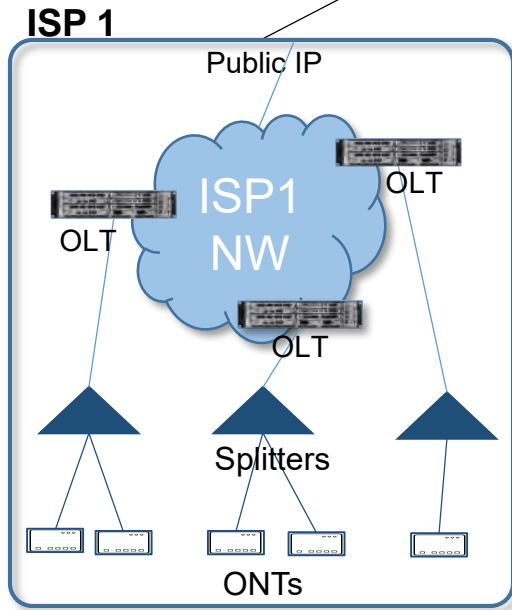
ISP enrollment on Tej Celestia



IPSEC

IPSEC

IPSEC



Access from
Anywhere on Internet



Any OS and Any device
Web Browser based Access

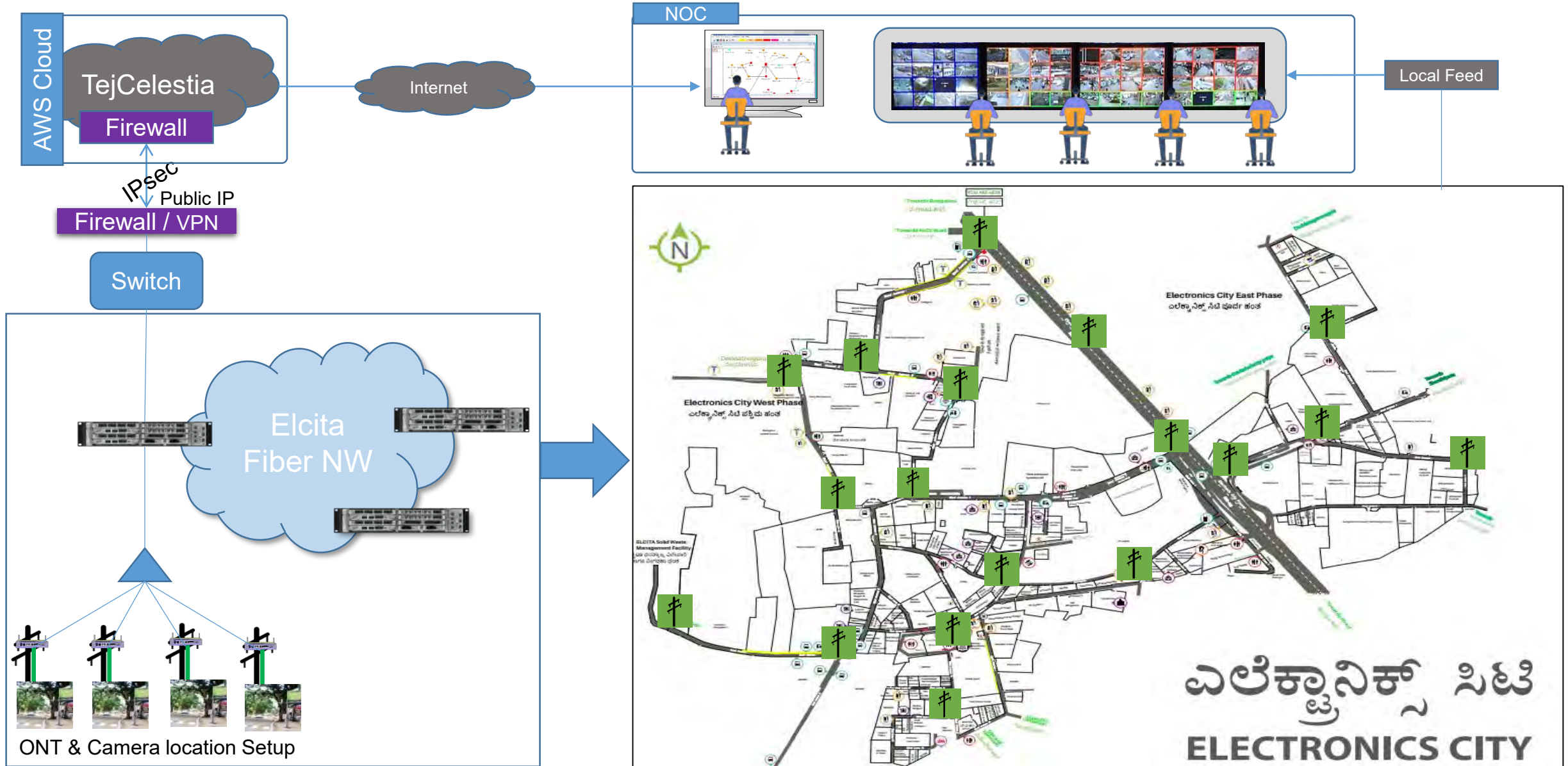



Saving on Local
EMS cost and Infra

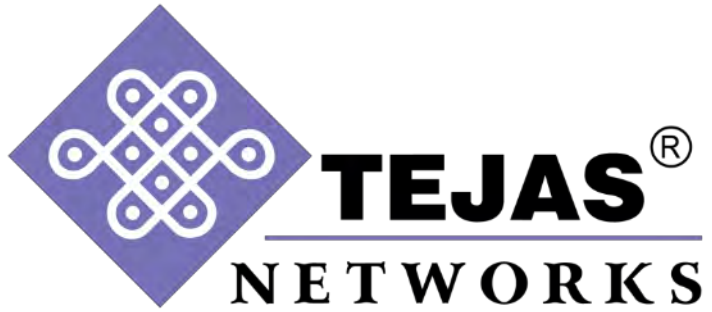


24 x 7 support

Gated Community as a Service via TejCelestia: Elcita



 Camera + ONT locations (Representative)



Thank you!

Contact Us:

gordhansr@tejasnetworks.com